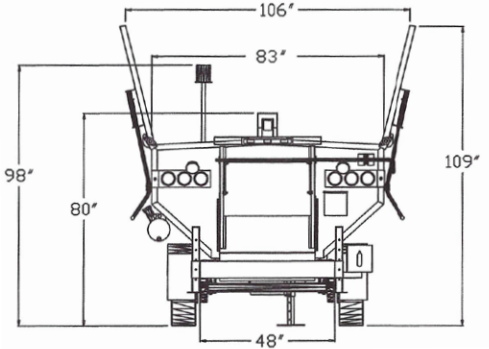
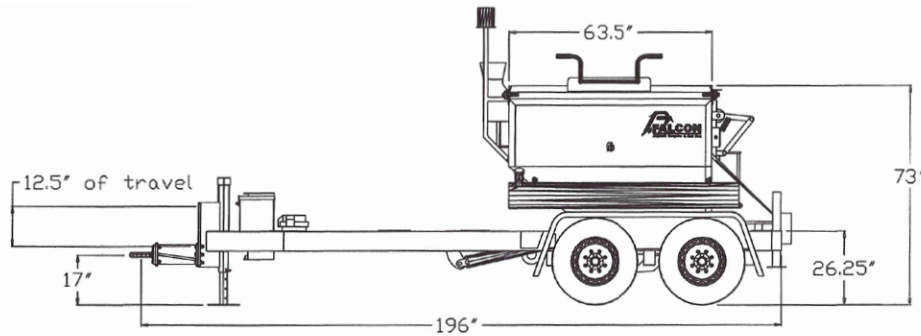


4 TON ASPHALT HOT BOX AND RECYCLER



Type	4 Ton Trailer
Capacity	8,000 lbs of material
Base Weight	4,340 lbs
Weight loaded with material	12,340lbs
GVWR	14,000 lbs
Fuel Source	Diesel
Fuel Capacity	15 gallons on dump box - 18 gallons on fixed trailer
Burner Type	105,000 BTU Diesel Beckett burner w/electronic spark ignition
Number of burners	1 or 2
Unloading door	Insulated guillotine, 18"Hx33" W
Loading doors	Manual 63"L x 41"W
Hopper opening	106" - doors open
Width	83"
Length	16'
Height	73"
Construction	Triple wall insulated – air jacketed 10 gauge capping channel and corner molding Hopper floor ¼" steel Wiring is external to hopper
Axles	Tandem slipper leaf spring
Tires	8-bolt wheels w/9x14.5" tires - upgrade option to 16" tires
Brakes	Electric brakes with safety breakaway
Hitch	2.5" pintle eye
Paint	Blasted and painted with two coats of epoxy primer and urethane finish
Frame	2"x6"x3/16" tubular steel frame with boxed-in and enclosed gussets
Asphalt repair areas	9'x9'x4" depth (80 potholes 1'x1'x4" depth)
Warranty	Two year machine warranty, lifetime frame warranty

Falcon Asphalt Repair Equipment

2000 Austin Street
Midland, MI 48642
sales@falconrme.com

Phone: (989) 495-9332
Fax: (989) 495-9342
www.falconrme.com

WWW.FALCONRME.COM



4 TON ASPHALT HOT BOX AND RECYCLER

STANDARD:

- Battery charger package
- Automatic temperature control
- VIP technology
- One piece ceramic combustion chamber (diesel)
- Diamond tread plate hopper access platform
- Heated shoveling platform
- 12 volt deep cycle batteries
- Conspicuity tape

OPTIONS:

- Hydraulic dump function
- Dual burner recycling package
- Hydraulic loading and unloading doors
- LED light upgrades including LED arrow board
- 30 gallon tack tank with spray system and hose reel
- Basket for mounting compactor
- Wash-down system
- 24-hour or 7-day timer
- Short frame - 14'
- XL frame - 18', 20'
- Electric overnight heat
- Hoist - manual or electric
- Tire upgrade
- Propane torch with bracket
- Other customizable options available

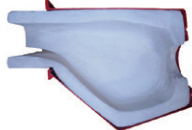
Falcon hot boxes and recyclers give you unparalleled **versatility**. You can **transport cold mix**, keeping it warm during the winter months and making it easier to work with; you can **transport hot mix and keep it hot all day**; and you can **hold hot mix overnight**, keeping it warm for up to 48 hours. You can also **reclaim unused hot mix**, eliminating the waste of good material, and you can **recycle asphalt chunks and millings**. All of this makes Falcon the most versatile machine you can buy for pavement preservation.

All Falcon machines are built with pride in Midland, Michigan and come with the following standard features: **patented heat management system** featuring a 5-year maintenance-free combustion chamber, **large unloading door** for easy access, **patented VIP system** to eliminate damage from low voltage, a **2-year machine warranty and lifetime frame warranty**, an emphasis on **curbside safety** and easy platform work surfaces, and a durable and **reliable dump system**.

THE FALCON ADVANTAGE



Large Unloading Door
For Easy Access



Patented Heat
Management System



Platform For Safe, Easy
Hopper Access



Patented VIP - Low
Voltage Shutdown



Dump System - Pivot
Point & V-Body



Lifetime Frame
Warranty

Falcon Asphalt Repair Equipment

2000 Austin Street
Midland, MI 48642
sales@falconrme.com

Phone: (989) 495-9332
Fax: (989) 495-9342
www.falconrme.com

WWW.FALCONRME.COM