

# SCHULTE®

## FX-530 Rotary Cutter



### Versatility & Maximum Performance

- 1** 30' of mowing and shredding excellence
- 2** Accommodates 30", 32", 36", 38" row spacings
- 3** Excellent shredding and distribution capabilities on Fixed Knife units
- 4** Unique drive layout allows for clutch at every down box
- 5** Spun formed pans available on pan unit
- 6** Floating hitch with rubber grommet rear suspension
- 7** Phasing system for a parallel lift cut
- 8** Non-adjustable clutches provide low maintenance
- 9** Available Cyclone Deck Debris Fan Kit
- 10** 350hp, 60° splitter gearbox allows for unique driveline layout

GO NUMBER ONE . . . GO SCHULTE!

# Features

## STANDARD FEATURES

*Bondioli Gearboxes, Deck protection rings on center and inner wings, Replaceable skid shoes, Pentagon bolt design, Easy to replace safety chains, parallel tongue on hitch, 6 gearbox layout, 5 slip clutches, Continuously welded 10 ga deck, Rotor layout optimizes cutting performance, Increase in field efficiency with larger mower, Less fuel, Easy to use safety lock-up, Moveable wheel standards, Narrow transport, 1/2 x 4 super updraft blade, Fixed knives shred and pulverize material, Front castor wheels support front wing and reduce wing bounce.*



The shredding action with the FX-530 fixed knife mower aids in faster decomposition of the material in the fields.



Walking Axles Shown



Row Crop Axles Shown

# FX-530



## Features



Outer Wing Fold



Front Adjustable Castor Wheel



Outer Wing Locks with optional cylinder fold kit



Parallel Solid Tongue Hitch + Category 7 CV shaft



Outer Wing Suspension



Center Section Suspension



Outer Wings Folded



Heavy duty 210hp right angle gearboxes



Wing Lock-up Lever

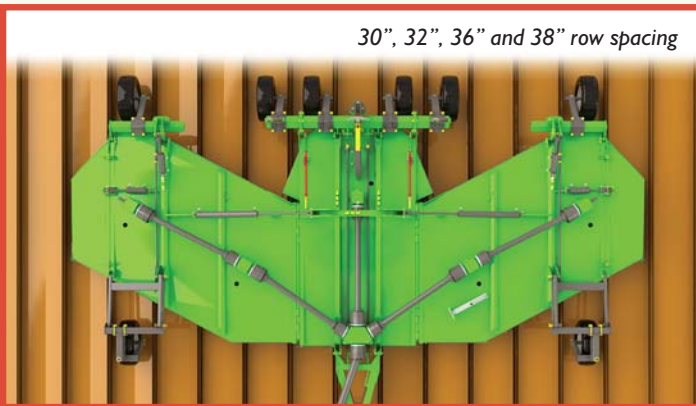
# FX-530 Specifications

## SPECIFICATIONS

Cutting Width	365" (30.4 ft or 9.3 m)
Overall Width	377" (31.4 ft or 9.6 m)
Overall Length	236" (19.7 ft or 6 m)
Cutting Height	2" - 15" (51mm - 381mm)
Std Wheel Ext., Transport Width	118" (3 m)
Row Crop Wheel Ext., Transport Width	153" (3.88 m)
Transport Height - without hydraulic folding wing tips	176" (14.7 ft or 4.5 m)
Transport Height - with hydraulic folding wing tips	153" (12.75 ft or 3.9 m)
Weight	12,300 lbs (5580 kg) depending upon configuration
Hitch Weight	4,500 lbs (2041 kg) depending upon configuration
Cutting Capacity	2" (51 mm)
Minimum Tractor Size	200 hp (149 kW) ensure drawbar can support weight
Blade Tip Speed	16,300 ft/min (4970 m/min)
Blade Overlap	6" (152 mm)
Divider Box Rating	350 hp (261 kW)
Down Box Rating	210 hp (157 kW)
Deck Thickness	.134" (10 ga) (3.4 mm)
Skirt Thickness	1/4" (6.4 mm)
Wing Operating Range	16° down to 21° up

Divider Box have 1.75" 20 spline input and output shafts.  
 Down Box have 1.75" 20 spline input shafts and 2.375" down shafts.  
 Tractor 80 degree CV shaft with 1 3/4 20 spline coupler with shear bolt.

## FX-530



## FX-530 OPTIONS

Single or Double Front Chains, Single or Double Rear Chains, Rear Belting, Front Belting, Pans, Fixed knife bars with Shrouds, 3 Meter Wheel Extensions, Row Crop Wheel Extensions, Non Walking Axles, Walking Axles, Hydraulic Folding Wing tips, Light Truck Tires, Implement Tires 11L-15, 12 ply, Cyclone Deck Debris Fan Kit

Walking Axle Available for Non-Row Crop Spacing



**Schulte Industries Ltd.**  
 P.O. Box 70, Englefeld, Saskatchewan, Canada S0K 1N0  
 Tel: (306) 287-3715 Fax: (306) 287-3355  
 E-Mail: info@schulte.ca  
 Visit our Web site at: www.schulte.ca



**Sold By:**

Schulte is a registered trademark of Alamo Group Inc.  
 Schulte Industries Ltd. reserves the right to change the design, specification of it's products without notice. Illustrations may include optional equipment and accessories, and may not include all standard equipment.