

# 3-in-1. Done.

With the power of versatility,  
Henke's Folding V configures to your needs.



Find what we have for you.  
888.682.9010 • [www.henkemfg.com](http://www.henkemfg.com)

**HENKE** 



3070 Wilson, Leavenworth, KS 66048  
 913.682.9000 • 888.682.9010  
 913.682.0300 (Fax)

Visit us at [henkemfg.com](http://henkemfg.com)

# Designed for Versatility, Engineered for Durability.

The Henke Folding Vee Plow is a Heavy Duty, Multi-Directional Dozer Blade for extreme duty use on wheel loaders and motor graders. Designed specifically to accept machine down-pressure from wheel loader arms or Henke motor grader parallel lift groups. Wheels\*, paired with skid shoes, make the FV ideal for gravel and dirt surfaces - allowing the cutting edge to hover just above the road.

## SPECIFICATIONS

Box Reinforced

Full Length 7" x 22.7#/ft S&C Center Channel

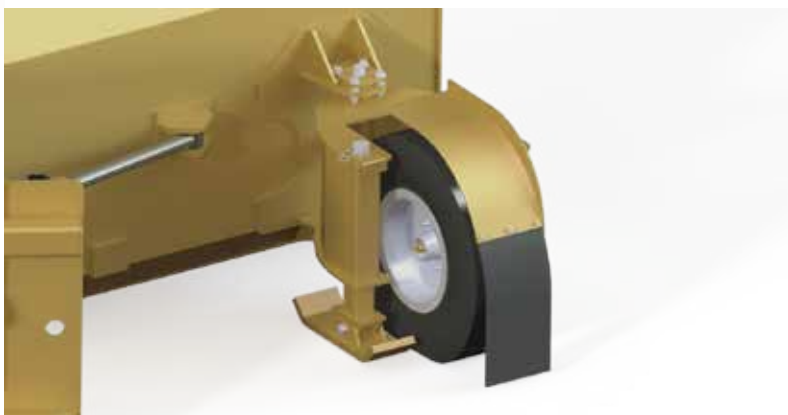
5.0" Center Pin Assembly of 1" DOM and a 3.0" Solid Steel, Cold Rolled Center Pin

Blade 48"H x 144"W x 130" Vee x 124" Angle

Weight: Approx. 3,970lbs as shown

12', 14', 16' Lengths

47" tall Moldboard

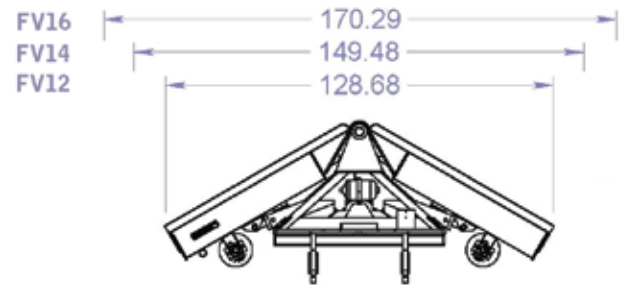


### Wheels and Skid Shoes

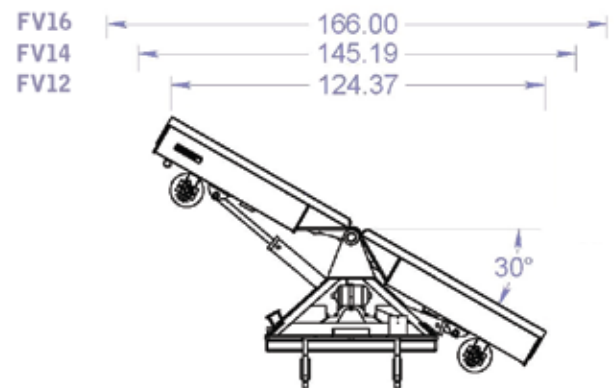
FV14 with pneumatic wheels and extension shields (shown)

• Weight: Approx 5,800lbs

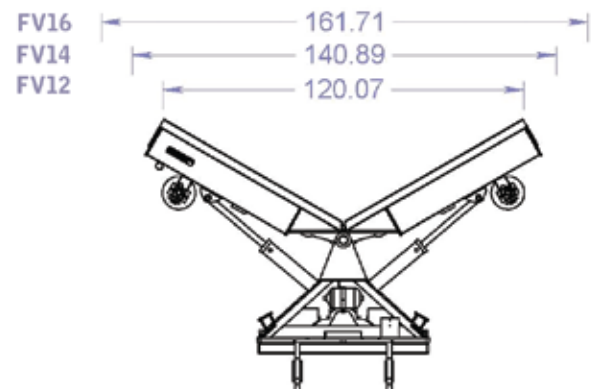
\*Wheels available only on 14' and 16' models.



Vee



Reversed Right



Scoop

### Supporting You.

While you're out there keeping roads safe, Henke's got your back with knowledgeable support for each of our plows.