

Super Products®
CAMEL® MAX SERIES
COMBINATION SEWER CLEANERS



THE 2021 EDITION
MAXIMUM SAFETY.
MAXIMUM RELIABILITY.
MAXIMUM PERFORMANCE.

800.837.9711 • WWW.SUPERPRODUCTS.COM

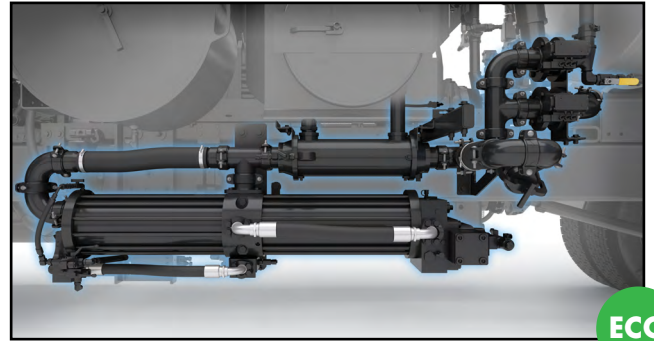
STANDARD FEATURES

AVAILABLE ON ALL UNITS

SAFETY

Highly Accomodating Front-Mounted Hose Reel

- 270° rotation, 180° rotation fully retracted
- Capable of 1000' of 1" diameter sewer hose
- Extends 18"



ECO

Advanced Water Pump

- Pressure sensing, double acting, single piston pump, powered by pressure & flow compensating hydraulic system
- 1:1 oil to water ratio
- Designed capacity of 100 gpm and 3000 psi
- Does not need to be removed from chassis for service

Additional Standard Features

SAFETY

Safety

- Tailgate Alarm
- Body Up Alarm
- Boom Up Alarm
- Back Up Camera
- (6) 28" Safety Cones
- Sewer Hose Containment Shield
- Debris Body Safety Prop
- Tailgate Safety Props

Water System

- Water Tank; rotationally molded, non-cross linked, polyethylene
- Air Purge
- Antifreeze System
- Dual Hydraulic Cooling
- Dual Accumulators

Vacuum Pump

- Positive Displacement Pump
- Hot Shift Transfer Case

Debris Body

- ¼" Thick Debris Body EXTEN Steel Construction
- Internal Debris Tank Flush Out System
- Exterior Tank Front Mounted Level Gauge
- (1) Centrifugal Cyclone Separator: 44,000 cubic inches
- Quick Release Door less than 50" off the ground
- Modular Designed Full Length Subframe

Tailgate

- Hydraulic Powered Tailgate
- (4) Adjustable Hydraulic Wedge Pins

Boom

- 8" Hydraulic Boom with 8' Hydraulic Extension
- 217° of Rotation
- 1000lb Boom Lifting Capacity

ECO



Precision Controls

- LED panel lights enables readability in all environments at 1000 nits
- Ability to run water pump with or without vacuum
- Unit Self Diagnostic

Single Engine Design

All Camel models feature a single engine design which offers:

- Lighter Weight
- Up to 40% Less in Fuel Use
- 15% lower operating RPM

ECO



The Most Versatile Combo in the Industry

Jet • Vacuum • Hydro Excavate • Wastewater Recycle • Dump • Eject

AVAILABLE MODELS:



Camel 900 Dump

- › Length: 35' 6" (approx.)
- › Height: 11' 6" (approx.)
- › Width: 8' Body, 9' 2" with mirrors (approx.)
- › Water Capacity: 1,000 gallons
- › Debris Body: 9 yards
- › Single Axle



Camel 1200 Dump

Camel 1200 Eject

Camel 1200 Wastewater Recycle

- › Length: 39' 6" (approx.)
- › Height: 11' 11" (approx.)
- › Width: 8' Body, 9' 2" with mirrors (approx.)
- › Water Capacity: 1,500 gallons
- › Debris Body: 12 yards
- › Tandem Axle
- › High Dump

* Disclaimer: Product photos may include standard and/or optional features

UNLOADING SYSTEMS:

DUMP OR EJECTION

Dump Unloading: The dump unloading system uses a telescopic hydraulic cylinder to raise the body up to a 50° angle and gravity removes the debris. This unit has **the capability to dump into a 42-inch container**. The unit still maintains a low overhead height during normal operation and a low center of gravity for increased stability.

900
and
1200 **Dump**



Ejection Unloading: The ejection unloading system is the industry's safest and most efficient removal of debris. The body raises to an 8.5° angle and the ejector plate quickly pushes out debris. This allows operators to have **the only controlled way to dump into a 48-inch container** without the need of additional containment products.

1200 **Eject
and
WWR**



WASTEWATER RECYCLING: FILL IT ONCE & WORK ALL DAY

Super Products' wastewater recycling system enables operators to clean sewers without the use of fresh water.

SAVE
WATER

Clean 3,000 feet of pipe a day;
SAVE 60,000 GALLONS
of water a week!

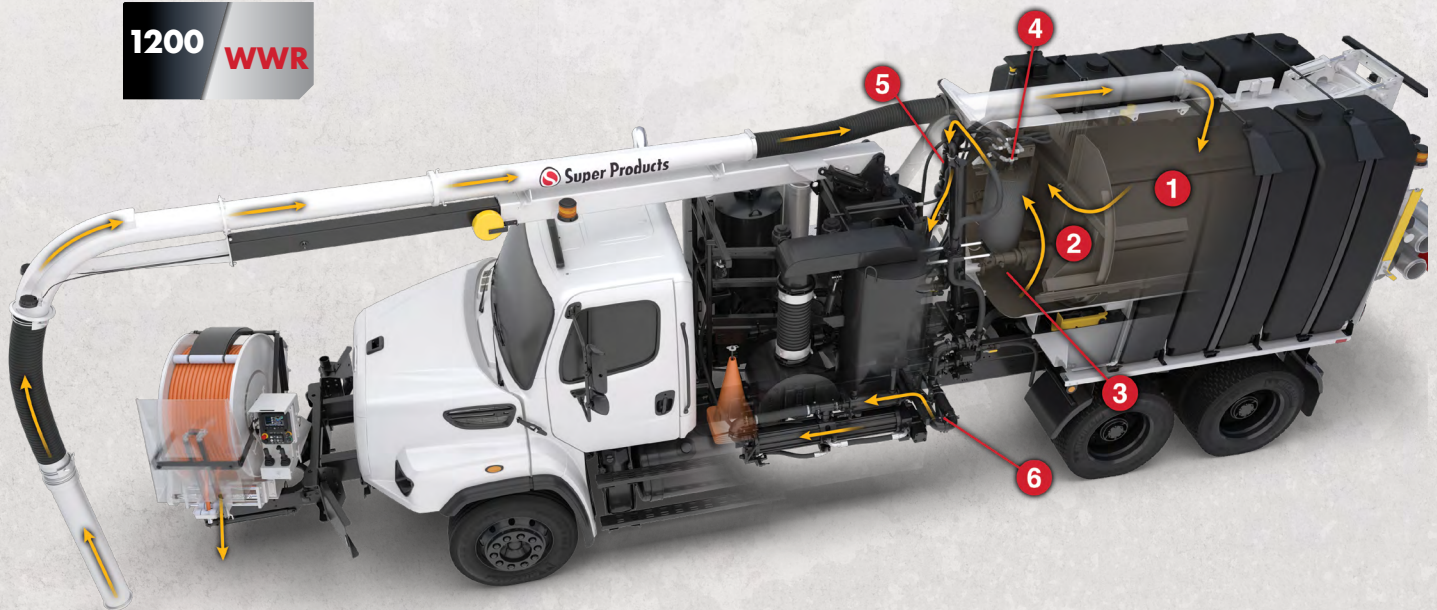
SAVE
TIME



Longer onsite performance;
CLEAN 78% MORE
pipe a day!

> This equates to **2** extra work days!

1200 WWR



ECO

6 Stages of Wastewater Recycling

- 1. Debris Tank** – Initial separation takes place as debris enters
- 2. Ejector Plate** – Small clearances and passages allow liquids to pass to the bulkhead side, holding solids on the tailgate side
- 3. Recycling Water Reservoir** – Controls water level on filter screen
- 4. Stainless Steel Wedge Wire Filter** – Self-cleaning and oscillating
 - Constant low pressure spray bar uses recycled water to externally clean the screen
 - Intermittent high pressure spray bar uses fresh water to internally clean the screen
- 5. Cyclone Separator** – Removes particles from the liquid
 - Includes an automatic continuous discharge of particles back into the debris body
- 6. Y-Strainer with Stainless Steel Element** – Filters the liquid prior to the high pressure water pump

OPTIONAL FEATURES

AVAILABILITY VARIES

Optional Features

- Lighting Packages
- Tool Boxes
- Splash Shield
- Fully Automatic Powered Level Wind
- Hose Reel Tensioning
- Wireless Remote
- Winter Recirculation
- Hydrant Fill with Auto Shut Off
- Multiple Axles

OPTION

Increase your Payload

Adding the **Pusher Axle** stretches chassis length by 12" while allowing for increased legal payload.



OPTION

ACCULEVEL
Load Sensor System



20/20 Vision for your Camel

The **Acculevel®** is an innovative radar debris body level sensor that shows the true debris level. This is digitally displayed on the front mounted control panel for easy operating viewing. By monitoring this, the operator can choose to continue working, dewater or dump debris.

OPTION

Hydro Excavation

Adding the **Hydro Ex Package** to your truck will transform your Combination Sewer Cleaner into a Hydro Excavator. The package comes with (1) water handgun, (1) dig tube with nonconducting cuff, (1) rebuildable urethane coated nozzle and other accessories to turn your Camel into a 3 in 1 mobile unit. Clean a sewer line in the morning and unearth utility lines in the afternoon.



 **Super Products®**

800.837.9711 • WWW.SUPERPRODUCTS.COM